



Premium Sump Pump Model 95

Zoeller's Newest Addition in the Premium Series of Pumps

Features:

- 5-year warranty
- Advanced switch technology allowing longer switch life (available in automatic only)
- 1/2 HP Premium 115V sump pump
- Performance up to 26' (7.9 m) TDH
- Flows up to 80 GPM (303 LPM)
- Green LED plug showing power to the pump
- Viton switch arm boot and heavy-duty rubber power cord for longevity and durability
- Corrosion-resistant, powder coated epoxy paint



100% factory tested

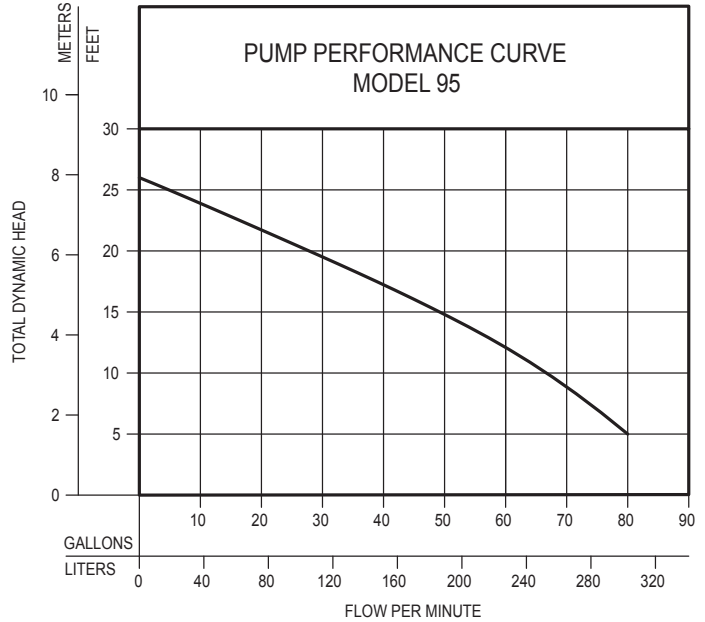
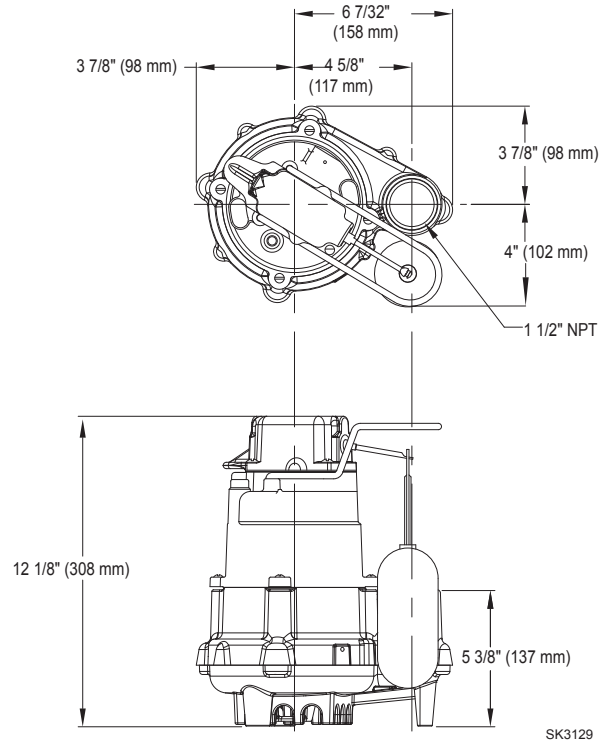


zoellerpumps.com

FM2991

PRODUCT SPECIFICATIONS

MOTOR	Horse Power	1/2
	Voltage	115
	Phase	1 Ph
	Hertz	60 Hz
	RPM	3450
	Type	Permanent split capacitor
	Insulation	Class B
	Amps	10.5
	PUMP	Operation
Auto On/Off Points		9-1/2" (24 cm) / 2-1/2" (6.4 cm)
Discharge Size		1-1/2" NPT
Solids Handling		1/2" (12 mm) spherical solids
Cord Length		15' (4.6 m)
Cord Type		UL listed, 3-wire, grounded plug
Max. Head		26' (7.9 m)
Max. Flow Rate		80 GPM (303 LPM)
Max. Operating Temp.		130° F (54° C)
Cooling		Oil filled
Motor Protection		Auto reset thermal overload
MATERIALS		Cap
	Motor Housing	Cast iron
	Pump Housing	Cast iron
	Base	Cast iron
	Upper Bearing	Sleeve bearing
	Lower Bearing	Ball bearing
	Mechanical Seals	Carbon and ceramic
	Impeller Type	Non-clogging vortex
	Impeller	Engineered thermoplastic
	Hardware	Stainless steel
	Motor Shaft	AISI 1215 cold rolled steel
Gasket	Neoprene	



154422

CAUTION All installation of controls, protection devices and wiring should be done by a qualified licensed electrician. All electrical and safety codes should be followed including the most recent National Electrical Code (NEC) and the Occupational Safety and Health Act (OSHA).